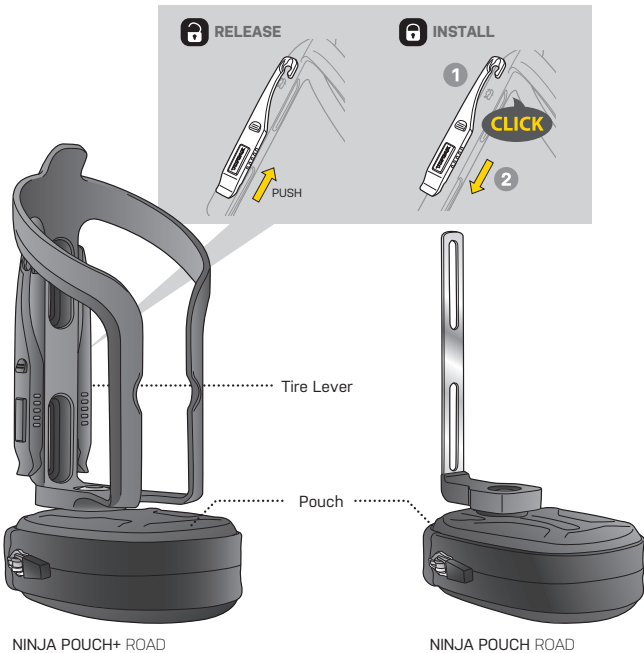
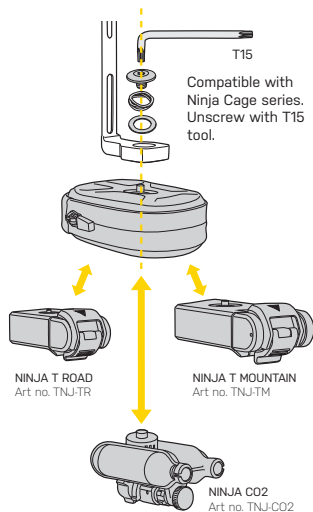




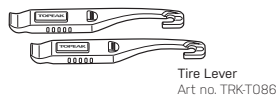
EN



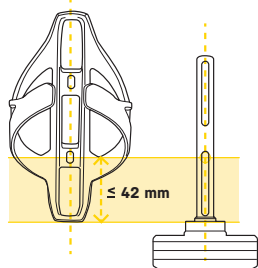
PARTS REPLACEMENT



SPARE PARTS

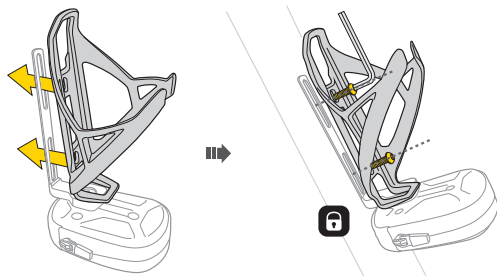


HOW TO INSTALL ON BIKE WITH OTHER CAGE (NINJA POUCH ROAD only)

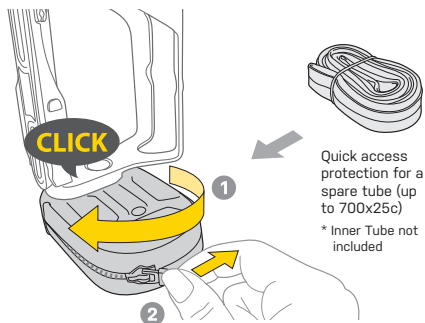


CAGE COMPATIBILITY

Ninja Pouch Road is only compatible with cages that have a distance of 42 mm or less between lower mounting bolt hole centerline and bottom of bottle cage



HOW TO OPEN THE POUCH



WARRANTY

2-year Warranty: All mechanical components against manufacturer defects only.

Warranty Claim Requirements
To obtain warranty service, you must have your original sales receipt. Items returned without a sales receipt will assume that the warranty begins on the date of manufacture. All warranties will be void if the product is damaged due to user crash, abuse, system alteration, modification, or used in any way not intended as described in this manual.

* The specifications and design are subject to change without notice.

Please contact your Topeak dealer with any questions.
For USA customer service, call: 1-800-250-3068
www.topeak.com